

WHEELCHAIR COMFORT

BY THE LEADER

SKWOOSH™

IN LIGHTWEIGHT GEL CUSHIONS

Wheelchair users find that the same SKWOOSH™ performance gel cushions used by athletes, pilots and travelers benefit them as well. Only SKWOOSH™ uses patented* TekPad® gel to relieve pressure on the "sitz" bones. Relieving pressure may allow a wheelchair user to sit comfortably for hours without experiencing discomfort, loss of circulation and numbness. It is lightweight (only 13 oz.), easy to carry, convenient to use and comfortable. It folds into a compact package (8" x 13"), yet delivers big cushion comfort. SKWOOSH™ receives testimonials from people who use it when working at a computer, when driving long distances and when seated in a wheelchair. So it stands to reason that SKWOOSH™ can benefit individuals who have to sit in one position for extended periods of time and want comfort and support, not thickness and bulk. So if you're tired of dragging around a heavy, thick, bulky cushion, you need to try SKWOOSH™.

SKWOOSH™ Wheelchair Gel Pad

Model# W1104

Dimensions: 13" x 16" x 7/8" (open); 13" x 8" x 1 3/4" (folded)

Weight: 13oz.

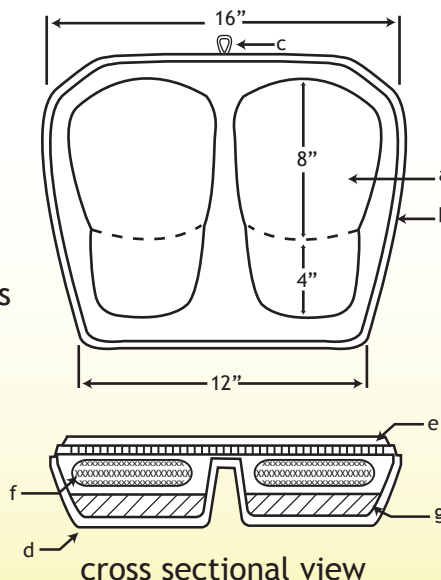
Folds for easy storage

Maintenance Free - Waterproof

MADE IN USA

ANATOMY

- a. TekPad® gel pack welded into two sections
- b. Welded seam
- c. Nylon cord loop
- d. Integrated non-skid bottom
- e. Waterproof nylon cover
- f. TekPad® gel pack
- g. Cross-linked foam



Performance Comfort Cushions
sports / office / travel



SKWOOSH IS DIFFERENT

Patented TekPad Technology
packs giant Comfort into a
convenient package

Contact Us!

Ph: 978.689.0500

Fax: 978.689.7771

email: info@skwoosh.com or visit: www.skwoosh.com

*Covered by US patent 6,485,446; 6,583,199 and patents pending.

NOT TO BE USED FOR FLOTATION