



# ATTENTION LAW ENFORCEMENT PUBLIC SAFETY SECURITY

## SKWOOSH™ PATROL SEAT

Whether you drive for Law Enforcement, Public Safety or Security, SKWOOSH™ has you covered for comfort. The SKWOOSH™ Patrol Seat lets you say goodbye to numbness in your butt or legs. Designed and built in the USA, SKWOOSH™ uses patented TekPad® technology to deliver pressure relief - for long shift comfort. It folds for easy carrying and fits in a side door pocket or glove box. Its **Hi-Tech Non-Skid Bottom** lets you get in and out in a breeze. SKWOOSH™ stays put. When you must sit for a long shift, count on SKWOOSH™ for comfort.



SKWOOSH™ PATROL SEAT #P5402

Weight: 8 oz.

Color: Dark Navy

Open dimensions: 10.5" x 15" x 0.5"

Folded dimensions: 10.5" x 7.5" x 1"

### BENEFITS:

**Cushioning** - Patented TekPad® lightweight pressure relieving gel

**Low Friction Cover Material** - Easy Slide In - Quick and easy Slide Out

**Comfortable** - Relieving pressure helps you ride longer

**Portable** - Lightweight, compact, folds for easy transport or storage

**Low Profile** - Maintains your standard seat position

**All Weather Gel** - Stays soft in all temperatures

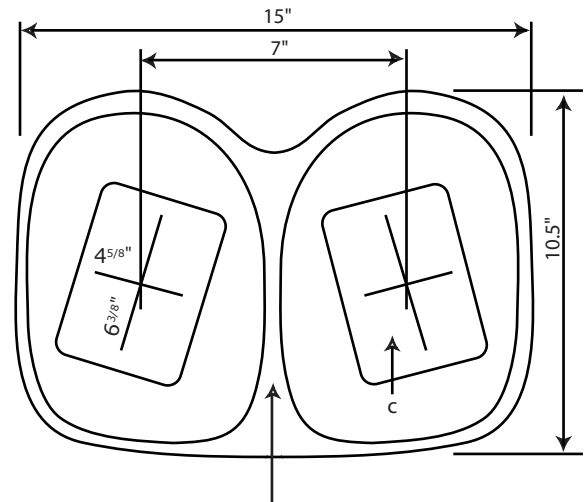
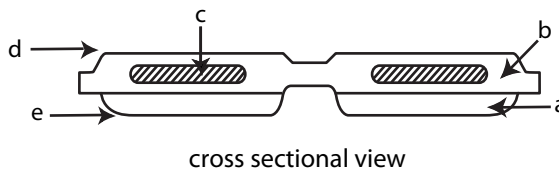
**Non-Skid Bottom** - Stays put - no movement during use, entry or exit

**Maintenance Free** - All welded construction - Waterproof\*

**MADE IN USA** - Guaranteed Performance - Guaranteed Workmanship

### ANATOMY of a SKWOOSH™ PATROL SEAT

- 1/8" cross-linked foam
- 1/4" cross-linked foam
- Two pressure relieving TekPad® gel packs
- Low friction top fabric - 70d nylon
- High performance non-skid material



Comfort Performance Cushions  
sports / office / travel



**SKWOOSH™ IS DIFFERENT**

Patented TekPad® Technology  
packs giant comfort into a  
convenient package

\*Not to be used as a flotation device

Contact Us!  
Ph: 978.689.0500 Fax: 978.689.7771  
email: info@skwoosh.com or visit: www.skwoosh.com