

ATTENTION CANOE PADDLERS!

SKWOOSH™

COMFORT CONVENIENCE ♦ PERFORMANCE COMFORT

The SKWOOSH™ Canoe Cushion

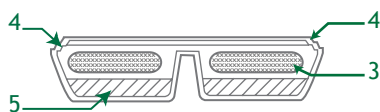
A lightweight, low profile performance comfort cushion for the canoe enthusiast, lightweight SKWOOSH™ uses medically proven pressure relieving technology to make paddling more comfortable. The low profile SKWOOSH™ maintains a low center of gravity for greater stability. Cradling your “sitz” bones in a SKWOOSH™ helps eliminate numbness in the “rear” and the legs. Paddle longer in comfort iwth SKWOOSH™.

BENEFITS

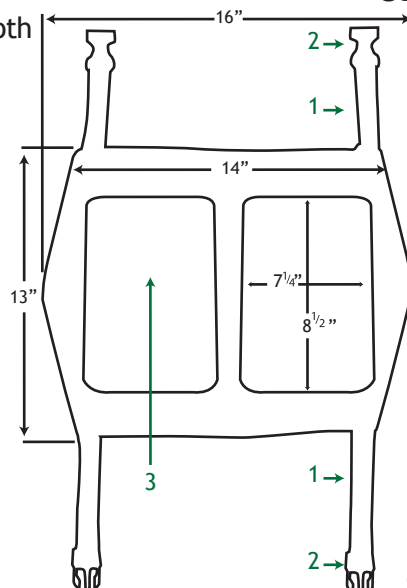
- **CUSHIONING** - TekPad® lightweight pressure relieving gel
- **COMFORTABLE** - Relieving pressure helps you PADDLE longer in comfort
- **LOW PROFILE** - Maintains CG for better stability
- **STAYS PUT** - Adjustable tie down straps with quick release buckles
- **DURABLE** - Waterproof fabric top and bottom
- **FITS ALL SEAT STYLES**
- **MAINTENANCE FREE** - No washing - functions in all temperatures
- **WATERPROOF** - If floats* - never soggy - won't mold - leave attached to boat
- **ALL WEATHER GEL** - Stays soft - provides comfort in all temperatures
- **MADE IN USA** - Guaranteed Performance - Guaranteed Workmanship

Anatomy of a SKWOOSH™ Canoe High Performance Comfort Cushion

1. Adjustable tie down straps
2. Quick release buckles
3. TekPad® pressure relieving gel pad
4. 600 X 300 denier waterproof pack cloth
5. Cross-linked foam



cross sectional view



SKWOOSH™ Canoe Cushion (Model# C2104)

Specifications:

Weight: 10 oz.

Dimensions: 13" x 16" x 1" flat

Color: Forest Green



*Not to used as a floatational device

Performance Comfort Cushions
sports / office / travel



SKWOOSH IS DIFFERENT

Patented TekPad Technology
packs giant Comfort into a
convenient package

*NOT TO BE USED FOR FLOATATION

Contact us!

Ph: 978.689.0500 ♦ Fax: 978.689.7771

email: info@skwoosh.com or visit: www.skwoosh.com