

The ENSIGN Kayak Seat Back System

SKWOOSH™

The ENSIGN combines the SKWOOSH lightweight gel paddling cushion with a battened, padded contoured back support. The ENSIGN is 13½" high and features a large, self-draining pocket, side pocket and an insulated bottle holder. The 4 adjustable, quick attaching strap system makes the ENSIGN a universal seat back for most SOT kayaks. The height of the ENSIGN is perfect for short duration, active paddling.

FEATURES and BENEFITS

- GENUINE SKWOOSH™ gel seat with patented TekPad pressure relieving gel
- SKWOOSH™ low profile cushion for better stability and performance
- SKWOOSH™ comfort padded backrest and adjustable side wings
- SKWOOSH™ no collapse fiberglass support battens
- SKWOOSH™ 4 adjustable attaching straps with corrosion resistant hardware
- SKWOOSH large, self-draining pocket and easy reach zippered side pocket
- SKWOOSH™ insulated water bottle holder



SKWOOSH™ ENSIGN Kayak Seat Back

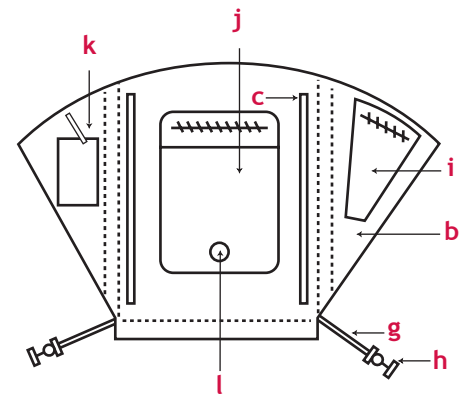
Model# EN1204

Color: Black and Silver

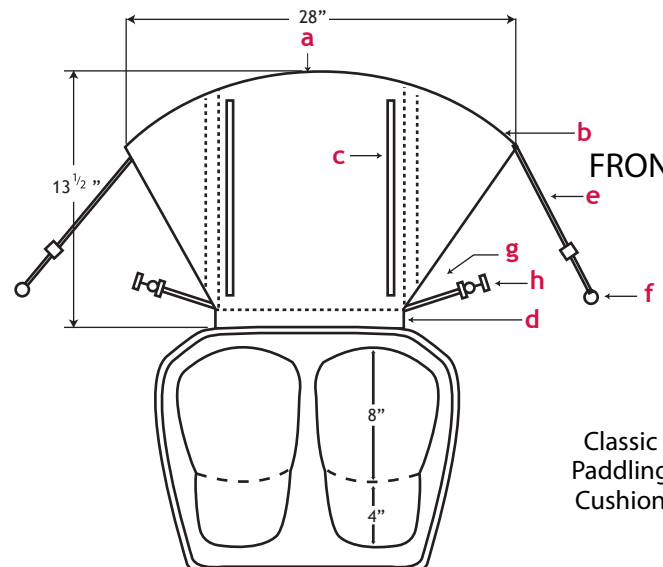
Anatomy of a SKWOOSH™ ENSIGN Kayak Seat Back

- Padded 13½" high seat back
- Adjustable wings
- Two 11½" fiberglass battens
- High strength woven hinge
- Two adjustable attaching front straps
- Two corrosion resistant front clips
- Two adjustable attaching right clips
- Two corrosion resistant rear clips
- Easy to reach zip pocket
- 9" x 9" x 2" large zippered self draining pocket
- Insulated water bottle holder
- Drainage port

REAR VIEW



FRONT VIEW



Classic Paddling Cushion

Performance Comfort Cushions
sports / office / travel



SKWOOSH IS DIFFERENT

Patented TekPad Technology
packs giant Comfort into a
convenient package

*NOT TO BE USED FOR FLOATATION

Contact us!

Ph: 978.689.0500 • Fax: 978.689.7771

email: info@skwoosh.com or visit: www.skwoosh.com